

# Talo 120 LED suspension dimmable 2-wire white

## SPECIFICATIONS

1924118A



### Design By

Neil Poulton

### Collection

Design



### Specifications

Delivered lumens	4496lm
Light output ratio	86.96lm/W
Power consumption	51.7W
Led type	49W Array*
CCT (Correlated Color Temperature)	3000K
CRI (Color Rendering Index)	>80
Life expectancy	50000Hrs
Control type	Dimmable 2-Wire (Tu-wire)
Input Voltage	120V
Driver	ADVANCE - 1 x XR054C150V054RNT1

### Colors & Finishes

White

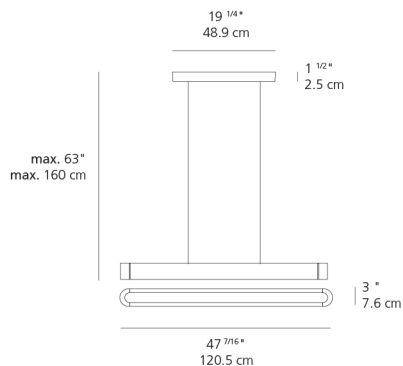
### Materials

- Body in painted aluminum
- Lower diffuser in opal polycarbonate
- End pieces in die-cast aluminum

### Features & Accessories

- Suspension cables are also feed cables
- Dimmer White Tu-Wire (W001-00352)

### Dimensions



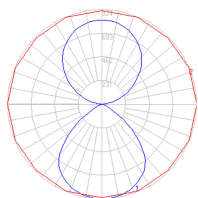
### Packaging

1 Box

1 x 52" x 7-3/16" x 5-5/8" / 9.7 lbs - 132 cm x 18 cm x 14 cm / 4.4 kg

### Light distribution

Direct/Indirect



Red = Max Cd. Through Vertical plane

Blue = Max Cd. Through Horizontal plane

### Luminaire weight

7.94 lbs / 3.6 kg

### Warranty

5 year limited warranty, Upon registration. Click here to register your purchase.