

Talo 150 LED suspension dimmable 2-wire silver

SPECIFICATIONS

1926128A



Design By

Neil Poulton

Collection

Design



Specifications

Delivered lumens	N/A
Light output ratio	N/A
Power consumption	54W
Led type	46.8W Array*
CCT (Correlated Color Temperature)	3000K
CRI (Color Rendering Index)	>80
Life expectancy	50000Hrs
Control type	Dimmable 2-Wire (Tu-wire)
Input Voltage	120V
Driver	ADVANCE - 1 x XR054C150V054RNT1

Colors & Finishes

Silver

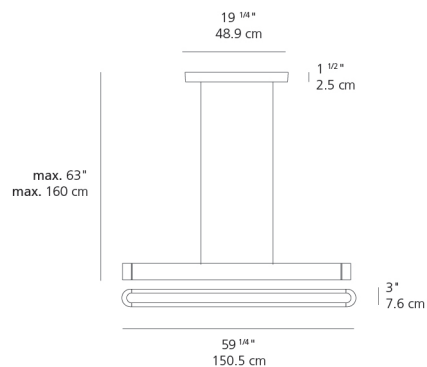
Materials

- Body in painted aluminum
- Lower diffuser in opal polycarbonate
- End pieces in die-cast aluminum

Features & Accessories

- Suspension cables are also feed cables
- Dimmer White Tu-Wire (W001-00352)

Dimensions



Packaging

1 Box

1 x 63-7/8" x 7-3/16" x 5-5/8" / 11.75 lbs - 162 cm x 18 cm x 14 cm / 5.33 kg

Light distribution

Direct/Indirect

Luminaire weight

9.7 lbs / 4.4 kg

Warranty

5 year limited warranty, Upon registration. Click here to register your purchase.