

# Tolomeo classic LED table with base - Aluminum

## SPECIFICATIONS

TOL0005



### Design By

Michele De Lucchi  
Giancarlo Piretti

### Collection

Design



### Specifications

Delivered lumens	357lm
Light output ratio	33.4lm/W
Power consumption	10.7W
Led type	10W Array*
CCT (Correlated Color Temperature)	3000K
CRI (Color Rendering Index)	>80
Life expectancy	50000Hrs
Control type	DIMMABLE (On Head)
Input Voltage	120-240V
Driver	Plug-In

### Colors & Finishes

Aluminum

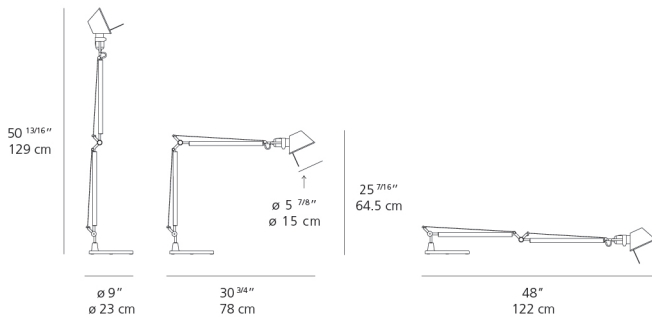
### Materials

- Arms and diffuser in aluminum
- Joints and tension control knobs in polished die-cast aluminum
- Tension cables in stainless steel
- Base in weighted steel with stamped aluminum cover

### Features & Accessories

- Fully adjustable, articulated arm structure
- Tiltable and rotatable diffuser (90 degrees in both directions)
- Interchangeable plug options accommodate most electrical outlets for global diversity

### Dimensions



### Packaging

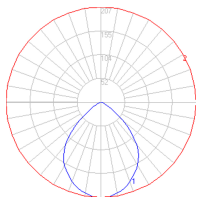
2 Boxes

1 x 10-5/16" x 7-9/16" x 33-3/16" / 3.99 lbs - 26 cm x 19 cm x 84 cm / 1.809 kg

1 x 12-5/16" x 12-5/16" x 4-1/4" / 8.82 lbs - 31 cm x 31 cm x 10.5 cm / 4 kg

### Light distribution

Direct



Red = Max Cd. Through Vertical plane

Blue = Max Cd. Through Horizontal plane

### Luminaire weight

10.27 lbs / 4.66 kg

### Warranty

5 year limited warranty,  
Upon registration. Click here  
to register your purchase.