

Tolomeo classic LED table with clamp - Aluminum

SPECIFICATIONS

TOL0020



Design By

Michele De Lucchi
Giancarlo Fassina

Collection

Design



Specifications

Delivered lumens	357lm
Light output ratio	33.40lm/W
Power consumption	10.7W
Led type	10W Array*
CCT (Correlated Color Temperature)	3000K
CRI (Color Rendering Index)	>80
Life expectancy	50000Hrs
Control type	DIMMABLE (On Head)
Input Voltage	120-240V
Driver	Plug-In

Colors & Finishes

Aluminum

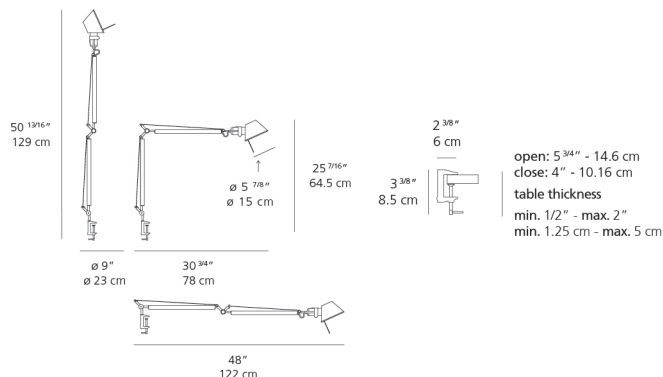
Materials

- Arms and diffuser in aluminum
- Joints and tension control knobs in polished die-cast aluminum
- Tension cables in stainless steel
- Clamp in die-cast aluminum

Features & Accessories

- Fully adjustable, articulated arm structure
- Tilttable and rotatable diffuser (90 degrees in both directions)
- Interchangeable plug options accommodate most electrical outlets for global diversity

Dimensions



Packaging

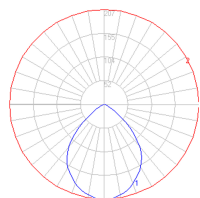
2 Boxes

1 x 10-5/16" x 7-9/16" x 33-3/16" / 3.99 lbs - 26 cm x 19 cm x 84 cm / 1.809 kg

1 x 5-3/16" x 4-13/16" x 3-5/8" / .44 lbs - 13 cm x 12 cm x 9 cm / .2 kg

Light distribution

Direct



Red = Max Cd. Through Vertical plane

Blue = Max Cd. Through Horizontal plane

Luminaire weight

2.33 lbs / 1.06 kg

Warranty

5 year limited warranty,
Upon registration. Click here
to register your purchase.