

Tolomeo classic TW table with inset pivot - Aluminum

SPECIFICATIONS

TOL0036



Design By

Michele De Lucchi
Giancarlo Fassina

Collection

Design



Specifications

Delivered lumens	357lm
Light output ratio	33.40lm/W
Power consumption	12W
Led type	10W Array*
CCT (Correlated Color Temperature)	N/A
CRI (Color Rendering Index)	>80
Life expectancy	50000Hrs
Control type	DIMMABLE (Base of diffuser)
Input Voltage	120V
Driver	N/A

Colors & Finishes

Aluminum

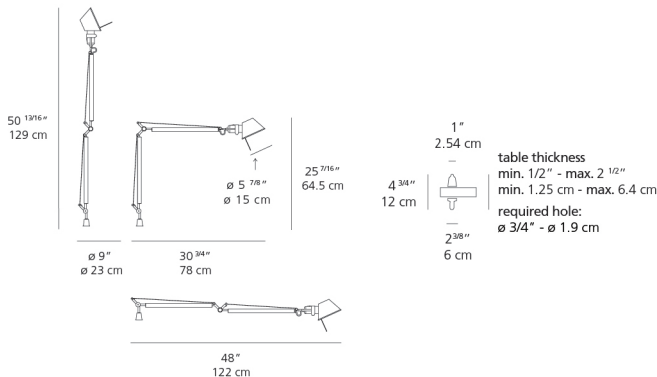
Materials

- Arms and diffuser in aluminum
- Joints and tension control knobs in polished die-cast aluminum
- Tension cables in stainless steel
- Inset pivot in die-cast aluminum

Features & Accessories

- Fully adjustable, articulated arm structure
- Tiltable and rotatable diffuser (90 degrees in both directions)
- Tunable White technology allows color temperature to range from 2,500K to 10,000K
- Interchangeable plug options accommodate most electrical outlets for global diversity

Dimensions



Packaging

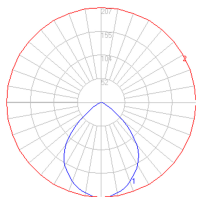
2 Boxes

1 x 10-5/16" x 7-9/16" x 33-3/16" / 4 lbs - 26 cm x 19 cm x 84 cm / 1.815 kg

1 x 5-3/16" x 5-3/16" x 3-5/8" / .44 lbs - 13 cm x 13 cm x 9 cm / .2 kg

Light distribution

Direct



Red = Max Cd. Through Vertical plane

Blue = Max Cd. Through Horizontal plane

Luminaire weight

2.48 lbs / 1.13 kg

Warranty

5 year limited warranty,
Upon registration. Click here
to register your purchase.