

Tolomeo classic TW wall w/ S bracket aluminum

SPECIFICATIONS

TOL1110



Design By

Michele De Lucchi
Giancarlo Fassina

Collection

Design



Specifications

| | |
|------------------------------------|--------------------|
| Delivered lumens | 412lm |
| Light output ratio | 34.31lm/W |
| Power consumption | 12W |
| Led type | 11W Array* |
| CCT (Correlated Color Temperature) | N/A |
| CRI (Color Rendering Index) | >80 |
| Life expectancy | 50000Hrs |
| Control type | DIMMABLE (On Head) |
| Input Voltage | 120-240V |
| Driver | Plug-In |

Colors & Finishes

Aluminum

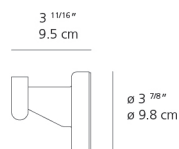
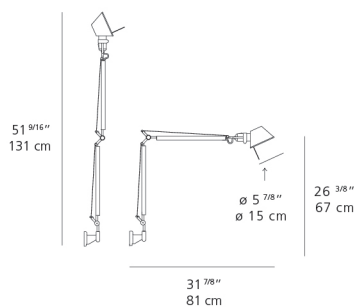
Materials

- Arms and diffuser in aluminum
- Joints and tension control knobs in polished die-cast aluminum
- Tension cables in stainless steel
- S-Bracket in polished die-cast aluminum

Features & Accessories

- Fully adjustable, articulated arm structure
- Tiltable and rotatable diffuser (90 degrees in both directions)
- Tunable White technology allows color temperature to range from 2,500K to 10,000K

Dimensions



Packaging

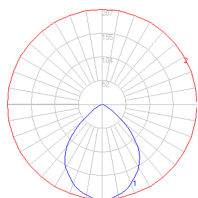
2 Boxes

1 x 10-5/16" x 7-9/16" x 33-3/16" / 4 lbs - 26 cm x 19 cm x 84 cm / 1.815 kg

1 x 4-7/16" x 4-7/16" x 4-7/16" / .55 lbs - 11 cm x 11 cm x 11 cm / .25 kg

Light distribution

Direct



Red = Max Cd. Through Vertical plane

Blue = Max Cd. Through Horizontal plane

Luminaire weight

2.59 lbs / 1.18 kg

Warranty

5 year limited warranty,
Upon registration. Click here
to register your purchase.