

Tolomeo mega LED w/17" diffuser table with clamp - Parchment SPECIFICATIONS

TLM2002



Design By

Michele De Lucchi
Giancarlo Fassina

Collection

Design



Specifications

| | |
|------------------------------------|-------------------------------|
| Delivered lumens | 1918lm |
| Light output ratio | 60.89lm/W |
| Power consumption | 31W |
| Led type | 29W C.O.B.* |
| CCT (Correlated Color Temperature) | 3000K |
| CRI (Color Rendering Index) | >80 |
| Life expectancy | 50000Hrs |
| Control type | DIMMABLE (On Head) / DIMMABLE |
| Input Voltage | 120-240V |
| Driver | Plug-In |

Colors & Finishes

- Parchment (Diffuser)
- Aluminum (Body & Clamp)

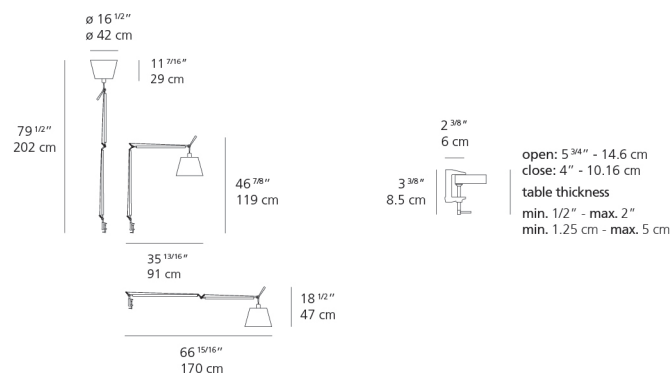
Materials

- Arm structure in polished aluminum
- Joints, tension control knobs and mountings in polished die-cast aluminum
- Support cable in stainless steel
- Clamp in die-cast aluminum

Features & Accessories

- Fully adjustable articulated arm structure
- Interchangeable plug options accommodate most countries electrical outlets

Dimensions



Packaging

3 Boxes

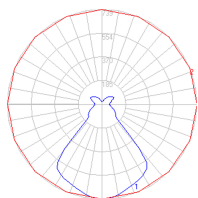
1 x 13-11/16" x 7-15/16" x 44-3/16" / 6.39 lbs - 34.5 cm x 20 cm x 112 cm / 2.9 kg

1 x 19-3/8" x 19-3/8" x 13" / 1.1 lbs - 49 cm x 49 cm x 33 cm / .5 kg

1 x 5-3/16" x 4-13/16" x 3-5/8" / .44 lbs - 13 cm x 12 cm x 9 cm / .2 kg

Light distribution

Diffused



Red = Max Cd. Through Vertical plane
Blue = Max Cd. Through Horizontal plane

Luminaire weight

3.75 lbs / 1.7 kg

Warranty

5 year limited warranty,
Upon registration. Click here
to register your purchase.