

Tolomeo micro table with clamp - Aluminum

SPECIFICATIONS

TOL0095



Design By

Michele De Lucchi
Giancarlo Piretti

Collection

Design



Specifications

Lamp type	LED-T
Lamp	max 60W E12/G16.5
Lamp Included	No
Control type	On/Off (On Cord)
Input Voltage	120V
Power consumption	69 WW
Ballast	N/A

Colors & Finishes

Aluminum

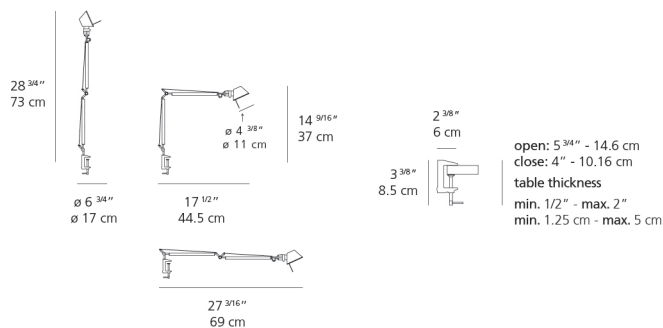
Materials

- Arms and diffuser in aluminum
- Joints and tension control knobs in polished die-cast aluminum
- Tension cables in stainless steel
- Clamp in die-cast aluminum
- Internal tension springs and external tension control cables in stainless steel

Features & Accessories

- Fully adjustable, articulated arm structure
- Tilttable and 360 degrees rotatable diffuser

Dimensions



Packaging

2 Boxes

1 x 8-3/4" x 8-3/4" x 19-13/16" / 2.51 lbs - 22 cm x 22 cm x 50 cm / 1.14 kg

1 x 5-3/16" x 4-13/16" x 3-5/8" / .44 lbs - 13 cm x 12 cm x 9 cm / .2 kg

Light distribution

Direct

Luminaire weight

1.26 lbs / .57 kg

Warranty

5 year Limited warranty,
Upon registration. Click here
to register your purchase.