

Unterlinden suspension 2700K aluminum

SPECIFICATIONS

1935W18A



Design By
Herzog & De Meuron

Collection
Design



Specifications	
Delivered lumens	615lm
Light output ratio	87.86lm/W
Power consumption	7W
Led type	6W C.O.B.*
CCT (Correlated Color Temperature)	2700K
CRI (Color Rendering Index)	>90
Life expectancy	50000Hrs
Control type	On/Off
Input Voltage	120V
Driver	TCl - 1 x DC-6W-350MA-STM/U

Colors & Finishes

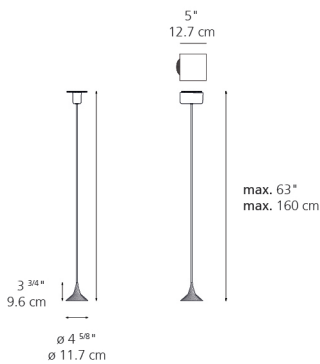
- Aluminum (Diffuser)
- Black (Cord & Canopy)

Materials

- Body in die-cast aluminum
- Canopy in technopolymer

Features & Accessories

Dimensions



Packaging

1 Box

1 x 12-11/16" x 8-3/8" x 5-3/16" / 2.2 lbs - 32 cm x 21 cm x 13 cm / 1 kg

Light distribution

Direct

Luminaire weight

1.32 lbs / .6 kg

Warranty

5 year limited warranty,
Upon registration. [Click here](#)
to register your purchase.