

Unterlinden suspension 3000K bronze

SPECIFICATIONS

1936018A





Design By
Herzog & De Meuron

Collection
Design



Specifications	
Delivered lumens	615lm
Light output ratio	87.86lm/W
Power consumption	7W
Led type	6W C.O.B.*
CCT (Correlated Color Temperature)	3000K
CRI (Color Rendering Index)	>90
Life expectancy	50000Hrs
Control type	On/Off
Input Voltage	120V
Driver	- 1 x

Colors & Finishes

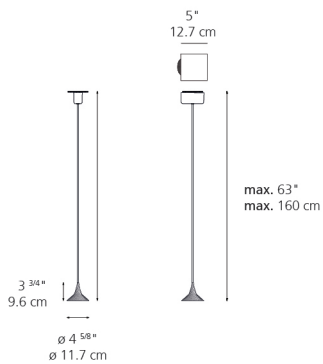
-  Bronze (Diffuser)
-  White (Cord & Canopy)

Materials

- Body in die-cast bronze
- Canopy in technopolymer

Features & Accessories

Dimensions



Packaging

1 Box

1 x 12-11/16" x 8-3/8" x 5-3/16" / 2.65 lbs - 32 cm x 21 cm x 13 cm / 1.2 kg

Light distribution

Direct

Luminaire weight

1.76 lbs / .8 kg

Warranty

5 year limited warranty,
Upon registration. [Click here](#)
to register your purchase.