

Yanzi S1 Suspension

1104018A

SPECIFICATIONS



Design By

NERI&HU

Collection

Design



Specifications

Delivered lumens	2121.4lm
Light output ratio	78.6lm/W
Power consumption	27W
Led type	3X9W Array*
CCT (Correlated Color Temperature)	3000K
CRI (Color Rendering Index)	>90
Life expectancy	50000Hrs
Control type	Dimmable 2-Wire / Dimmable 0-10V
Input Voltage	120V
Driver	EFORE - 1 x RCL030-0700B

Colors & Finishes

- Glass white (Diffuser)
- Brushed Brass (Swallows)
- Black (Stem)

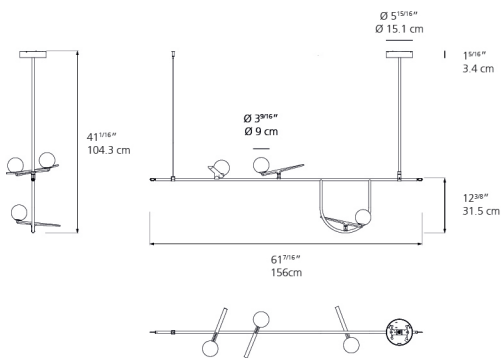
Materials

- Clear blown glass diffuser
- Small opal blown glass diffuser
- Stem in steel
- Cast Zamak bird body

Features & Accessories

- Driver is compatible to both 2-wire dimming and 0-10V dimming options

Dimensions



Packaging

2 Boxes

1 x 66-1/4" x 17-13/16" x 3-5/8" / 8.77 lbs - 168 cm x 45 cm x 9 cm / 3.98 kg

1 x 20-9/16" x 20-9/16" x 9-1/8" / 6.39 lbs - 52 cm x 52 cm x 23 cm / 2.9 kg

Light distribution

Diffused

Luminaire weight

7.69 lbs / 3.49 kg

Warranty

5 year limited warranty,
Upon registration. Click here
to register your purchase.