

# Real-Time Motorcycle GPS Tracker / Geo-location Recorder

With IOS, Android, & PC Applications



## Package Content

- 1 x GPS Tracker
- 1 x Relay Switch
- 1 x User Manual

\*\* SIM Card is optional

## Features

- Designed for Motorcycle, Cars, Trucks, etc. (with 9~75V DC power source)
- Communication:
  - o Network: GSM/GPRS cellular network
  - o Bandwidth: GSM850/900/1800/1900Mhz; wcdma900/2100, wcdma850/1900
- Google map
  - o Real-time tracking
  - o Travel location replay – select time (from & to) and replay
- App / SMS messaging
  - o Continuous GPS position reporting for real-time tracking and recording for playback
  - o SMS messaging to locate current position and status
  - o ACC the ignition on/off signal status prompted
  - o Built-in vibration/shaking sensor for anti-theft detection – movement alert
  - o Power cut-off alarm
  - o Support geo-fencing
  - o Over speed alert
- Optional:
  - o Microphone for audio surveillance
  - o Hotline number setup for SOS call (the police and security alarm)
  - o SOS alarm / panic button for emergency calls for help
- Built-in backup battery. Low battery alert
- Built-in power-save mode

---

## Installation Procedure

### SIM Card Installation

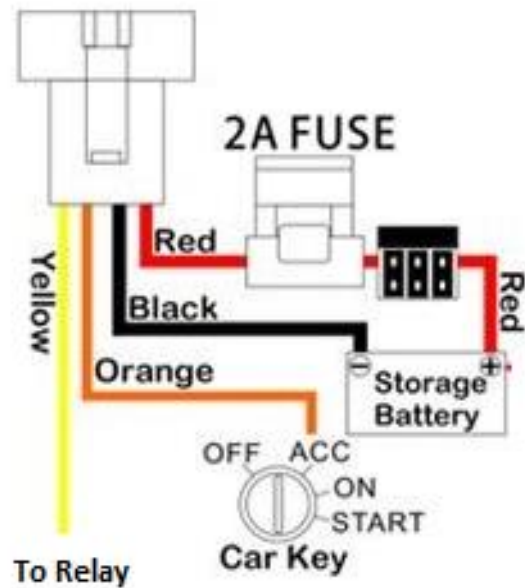
<ol style="list-style-type: none"><li>1. Open waterproof flap</li><li>2. Remove SIM card from package</li><li>3. Insert the chip facing up</li><li>4. Close flap</li></ol>		
--	---	---

## GPS Tracker installation

1. GPS sensor positioning
  - a. placed upward toward sky (for built in antenna)
  - b. should not be covered by metallic material – will block GPS signal

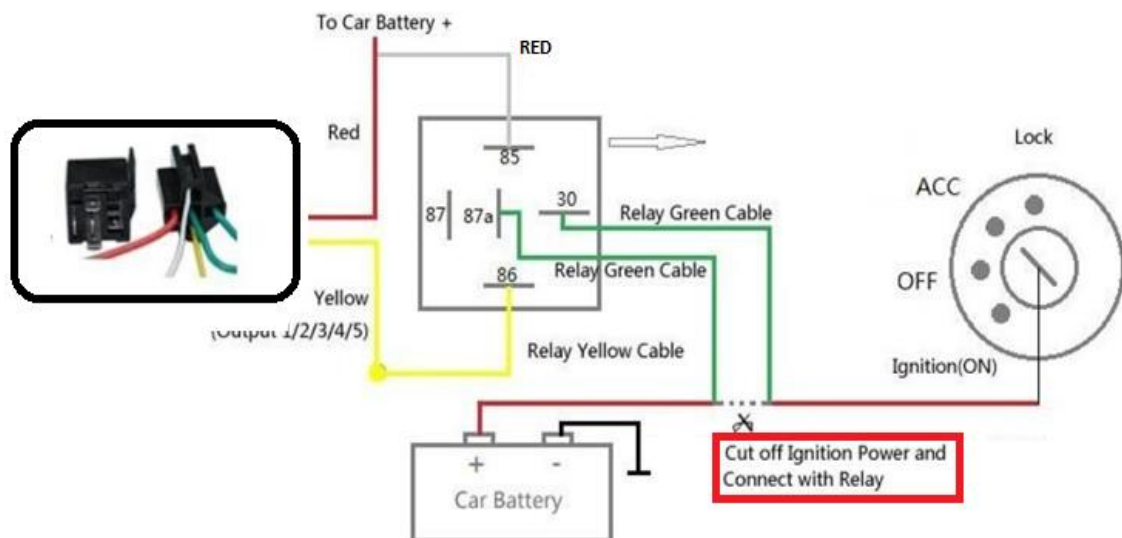
E.g. under the seat of a motorcycle

2. GPS wiring



## Relay Installation (required for engine-kill)

1. Relay wiring



# GPS Tracker Applications

## 1. Desktop Applications

- a. Using an web browser go to: [www.lkgps.net](http://www.lkgps.net)

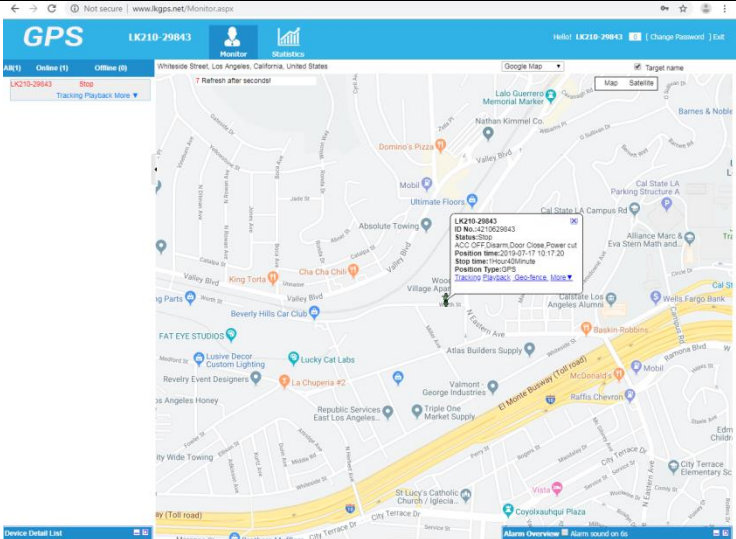
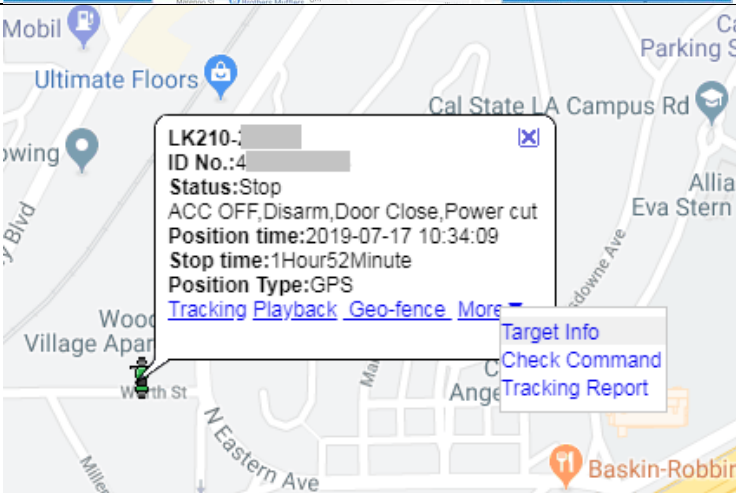
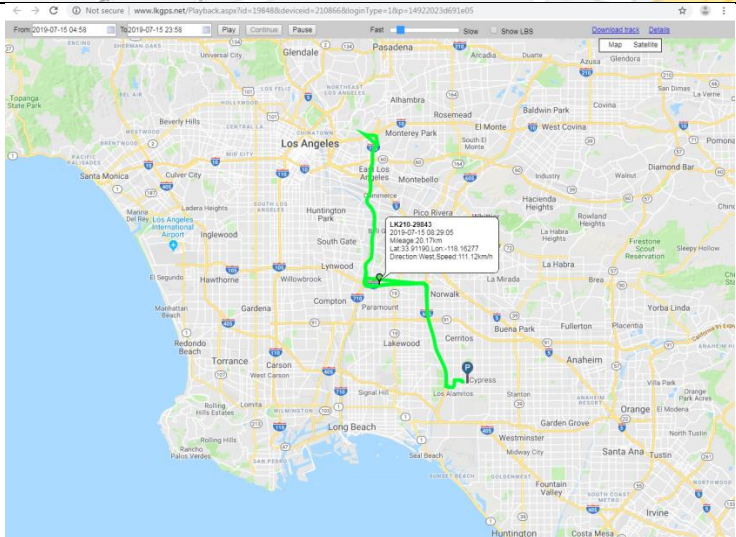


- b. Select IMEI
  - i. Enter ID from the back of the GPS Tracker in IMEI No.



- ii. Enter password: default: 123456
  1. Remember to change the default password

c. Application screen shots


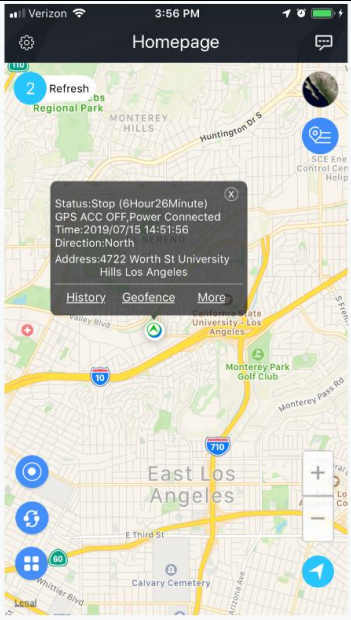
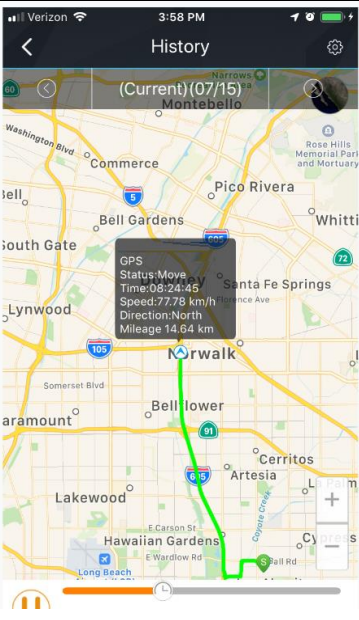
<p>Homepage will show all registered GPS trackers</p>	 <p>The screenshot shows the 'GPS' monitoring interface. At the top, it displays 'LK210-29843' and 'Hello! LK210-29843'. Below the header, there are tabs for 'Online (1)' and 'Offline (0)'. A list of trackers is shown, with 'LK210-29843' selected and its status 'Stop' and 'Tracking Playback More' visible. The main area is a map of Los Angeles with a red location pin and a detailed information popup.</p>
<p>Status detail</p>	 <p>This is a close-up of the status detail popup for the selected tracker. The text inside the popup reads: 'LK210-29843', 'ID No.:4...', 'Status:Stop', 'ACC OFF,Disarm,Door Close,Power cut', 'Position time:2019-07-17 10:34:09', 'Stop time:1Hour52Minute', and 'Position Type:GPS'. Below the text are links for 'Tracking Playback', 'Geo-fence', and 'More'. To the right of the popup, there are additional options: 'Target Info', 'Check Command', and 'Tracking Report'.</p>
<p>Playback</p> <ul style="list-style-type: none"> <li>• Select date-time range</li> <li>• Select speed</li> <li>• 'Play'</li> <li>• Download data Date-time, latitude, longitude, speed, direction in *.xls format</li> </ul>	 <p>The screenshot shows the 'Playback' interface. It features a map of Los Angeles with a green line representing the vehicle's movement path. At the top, there are playback controls: 'From 2019-07-15 04:58', 'To 2019-07-15 23:58', and buttons for 'Play', 'Continue', 'Pause', 'Fast', 'Slow', 'Show LBS', 'Map', 'Satellite', and 'Download tracks'. A popup window over the map displays the following information: 'LK210-29843', '2019-07-15 08:29:05', 'Mileage 20.17km', 'Lat:33.91195, Lon:-116.16277', and 'Direction West, Speed 111.12km/h'.</p>



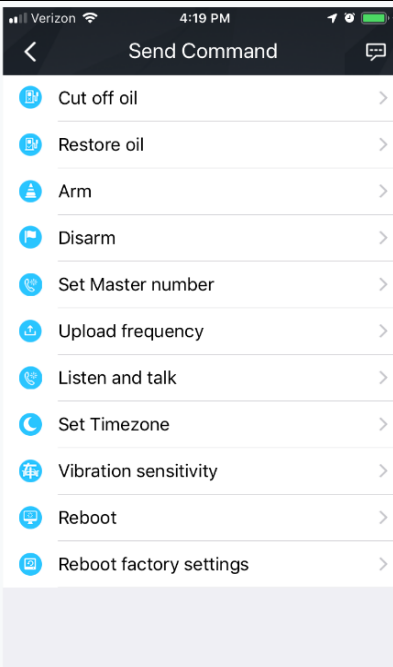
## 2. IOS & Android Applications

- Download App "LKGPS2"
- Open

\*\* note the version number 2

		
<p>Enter IMEI No Password – same as desktop</p>	<p>Home Page : current status</p>	<p>History: being replayed</p>

- App interface: Use app to control from remote!

	<p>engine kill</p>
---	--------------------

### **3. SMS Messaging (low-level - not commonly used)**

a. A GPS Tracker must be on outside

b. Set admin number, APN, IP and open GPRS

Note: 123456 is default password

i. admin123456<space>phone number

ii. apn123456<space>local apn content

iii. adminip123456<space>101.1.16.228<space>+7700

iv. gprs123456

c. more commands - see quick tour section 4